

SafetyCast™ 300 Virtual Sign Projector Datasheet

For information about the other products in the SafetyCast product family visit, [Order Online Now](http://www.laserglow.com/product/byapplication/SafetyCast-Virtual-Sign-Projector/) or [Request Quote](#):

www.laserglow.com/product/byapplication/SafetyCast-Virtual-Sign-Projector/



Overview:

The SafetyCast™ 300 Virtual Sign Projectors are the ideal way to display bright floor and wall safety signs in locations where there is high traffic, potential for a hazard, or uneven floors. The SafetyCast™ 300 Virtual Sign Projector uses an image lens and a high-output LED bulb to project a clear sign at distances of up to 70 m (230'). The SafetyCast™ 300 Virtual Sign Projector works well in almost all lighting conditions and is easy to mount and adjust. Once installed, there's virtually no maintenance, and you won't need to worry about replacing damaged signs on your floors or walls.

Key Features:

- High-contrast image projection
- Powerful close-range and long-range projection
- Interchangeable image lenses
- Minimal maintenance – low total cost of ownership
- A large variety of safety signage

Specifications:

Lamp Details

Type of Light Source:	High Performance LED
Light Source Life (MTTF):	30,000 hours at 25°C/77°F

Optical

Light Colour Temperature:	6,000 K
Luminous Flux:	30,000 lm
Projection Distance:	Up to 230 ft (70 m) in dark ambient lighting
Beam Projection Lens Angles:	Extra Narrow: f=200mm / 15°; Narrow: f=140mm / 20°; Medium: f=115mm / 25°; Wide: f=90mm / 35°; and Ultra Wide: f=56mm / 45°

Temperature Range:	2°C to 50°C (35 to 120 °F)
Storage Temperature Range:	-10 to 50°C (15 to 120 °F)
Relative humidity:	5% to 80% noncondensing
IP Rating:	IP55
Projector Power:	300W
Power Supply (included):	100-240 VAC nominal, 50/60 Hz, 2.5A, 300W

Standard Warranty:	12 months
---------------------------	-----------

Smart Triggered Projection:	Projection flashing using either Motion Sensors or Break of Beam sensors
------------------------------------	--

SafetyCast™ 300 Virtual Sign Projector

Product Series

Lens Angle

F = Extra Narrow Angle (13°)

SKU Guide - HSV 3 F 054 X

Power

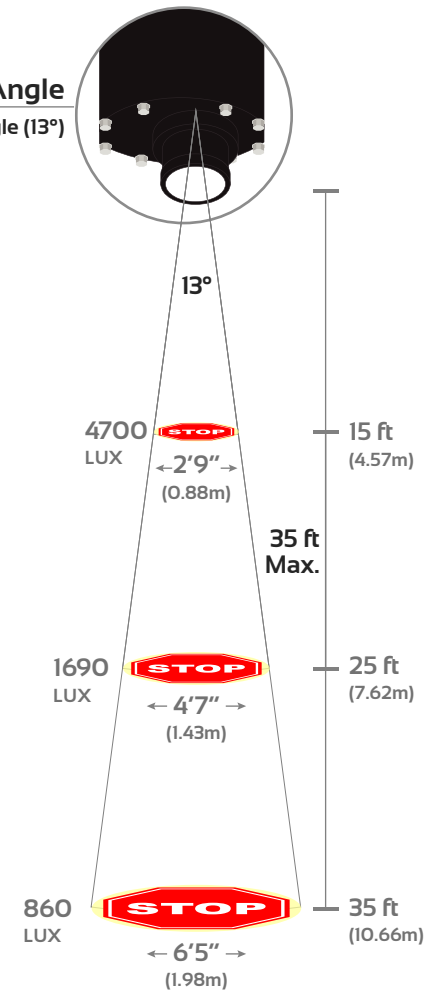
3 = 300W

Type

X = Fan Cooled

Image Type

Projection	300W	Projection	300W	Projection	300W
	055		106		110
	054		053		108
	104		72		116
	057		071		120
	103		073		118
	056		112		CUS
	105		114		



Accessories:

The most popular accessories for model HSV3___X are shown below. For additional details regarding these or other accessories please see our website or contact us directly.

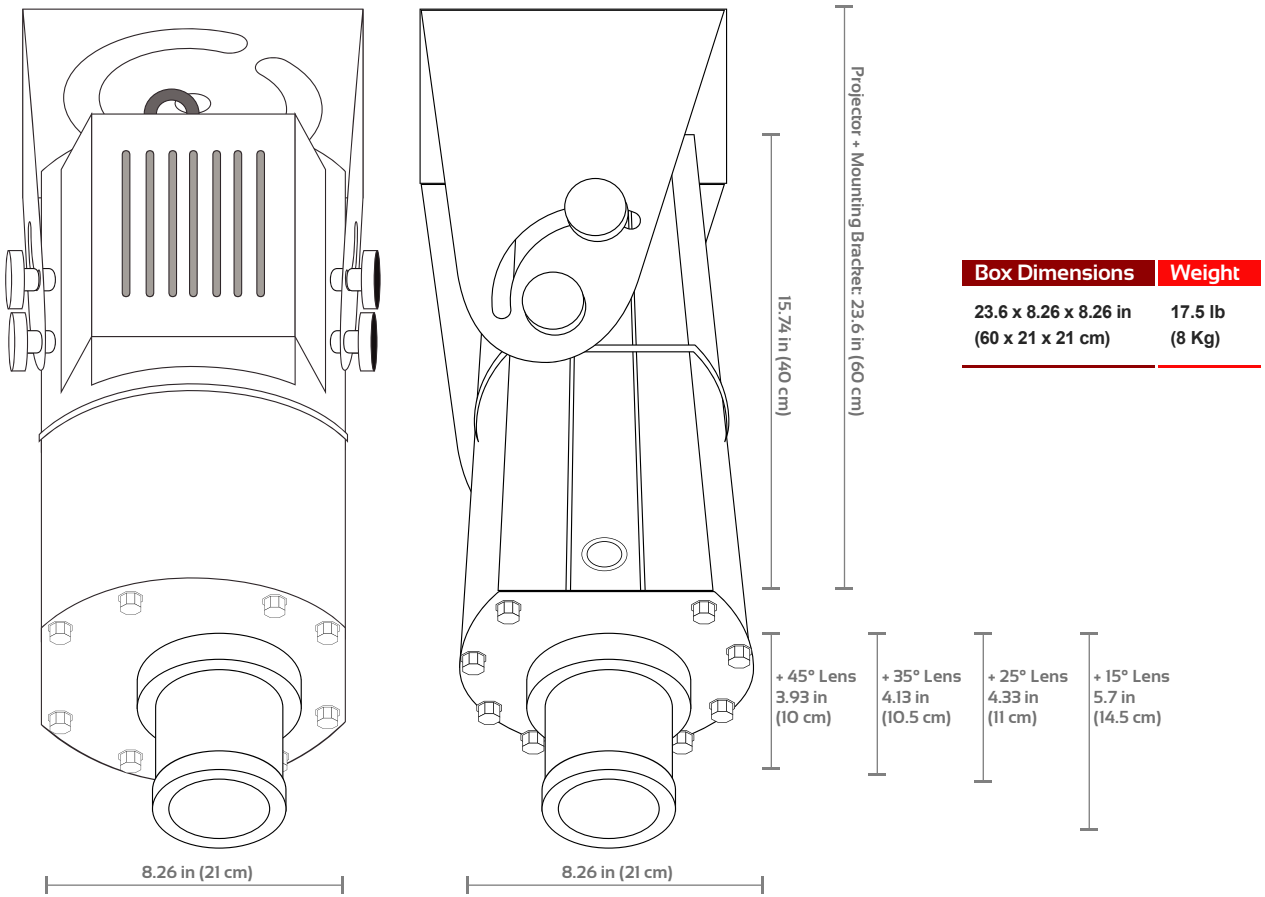
Product SKU	Description	Product SKU	Description	Product SKU	Description
Smart Trigger Kits / Sensors		Sensors / Cables / Mounting Hardware		Lenses	
	STB300XXX Smart Trigger Basic Control Kit (Single Input and Output)		SENPBKXXX Momentary Push Button Sensor Kit		AOO30015T Lens Only - 300W 15° Fan Cooled
	HSCCTRLAX Smart Trigger Pro Control Kit (Multiple Inputs and/or Outputs)		STBSIGC2X Signal Cable Extension (2m)		AOO30025T Lens Only - 300W 25° Fan Cooled
	HSCRLY3PX Signal Relay Box for Multiple Projectors		STBSIGC5X Signal Cable Extension (5m)		AOO30035T Lens Only - 300W 35° Fan Cooled
	SENIMKXXX Indoor Motion Sensor Kit		STBSENC2X Sensor Cable Extension (2m)		AOO30045T Lens Only - 300W 45° Fan Cooled
	SENMAOPTX 4 Motion Sensor Input Adapter		STBSENC5X Sensor Cable Extension (5m)		AOG___XXY Image Template Only
	SENB03KXX Retroreflective Beam Break Sensor Kit (3m range)		ABM088CXX No Drill Magnetic Mounts		
	SENB30KXX Retroreflective Beam Break Sensor Kit (30m range)				



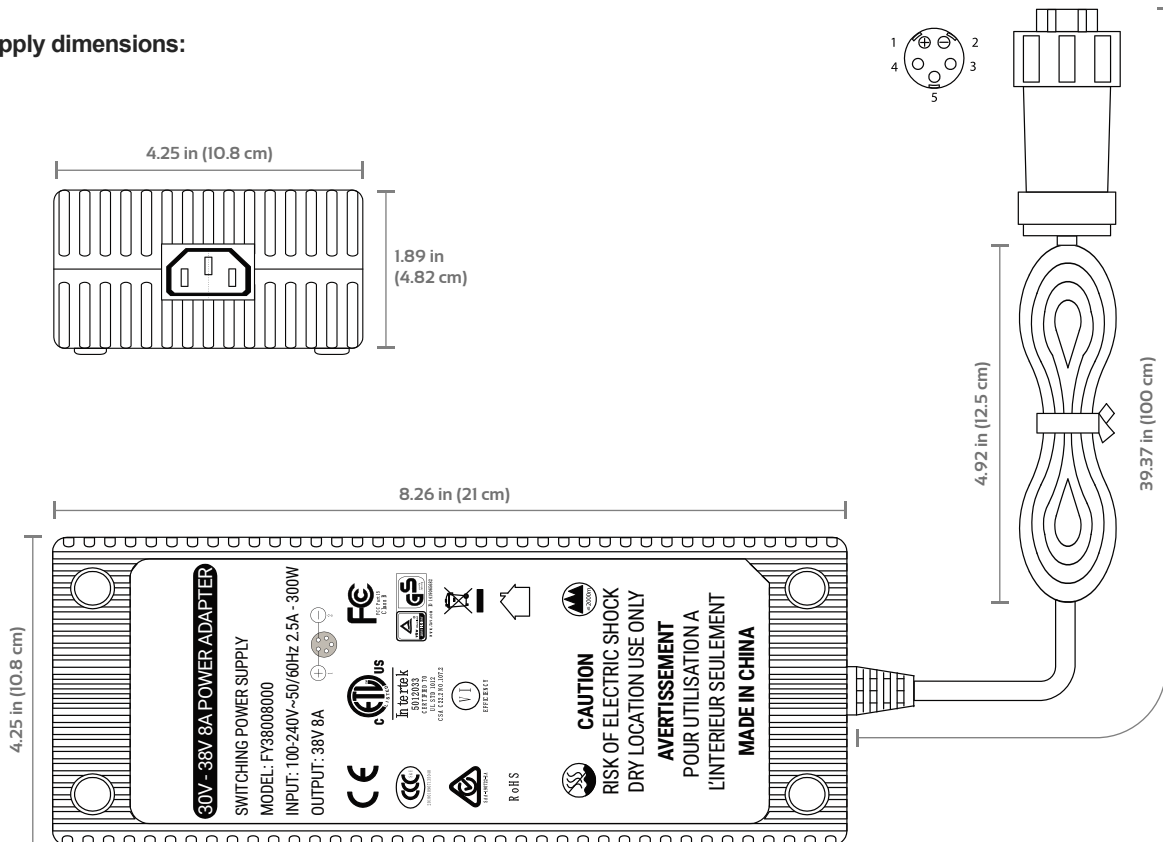
Find out more about Accessories:
www.laserglow.com/industrial

SafetyCast™ 300 Virtual Sign Projector

Projector dimensions:



Power Supply dimensions:





www.laserglow.com

For more information please contact:

LASERGLOW TECHNOLOGIES

99 Ingram Dr. Unit B, North York, ON, Canada M6M2L7

Tel. (416) 729-7976 Fax (716) 322-3510

sales@laserglow.com

E&OE: Data included in this sheet may be subject to change without notice.
Please confirm critical specifications with our staff prior to ordering.