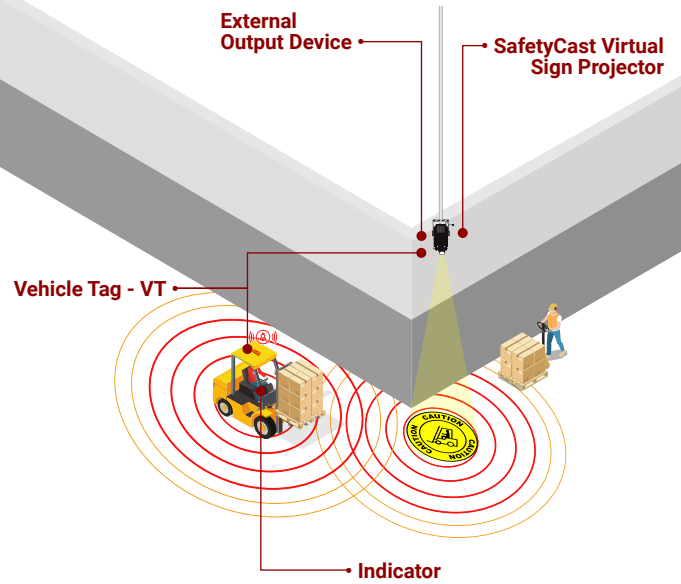


# Smart Proximity Detection System | Virtual Sign Kit

For information about the other products in the Smart Proximity Detection System product family visit, Order Online Now or Request Quote:

[www.laserglow.com/product/byproduct/SPDS/](http://www.laserglow.com/product/byproduct/SPDS/)



## Overview:

A fixed in place SafetyCast Virtual Sign Projector with a vehicle tag is installed at the intersection which creates a 360 detection zone around it. This Virtual Sign Projector constantly communicates, monitors and detects vehicles fitted with a vehicle tag. The system will detect its presence and warn drivers approaching so that they can take the necessary precautions.

## Specifications:

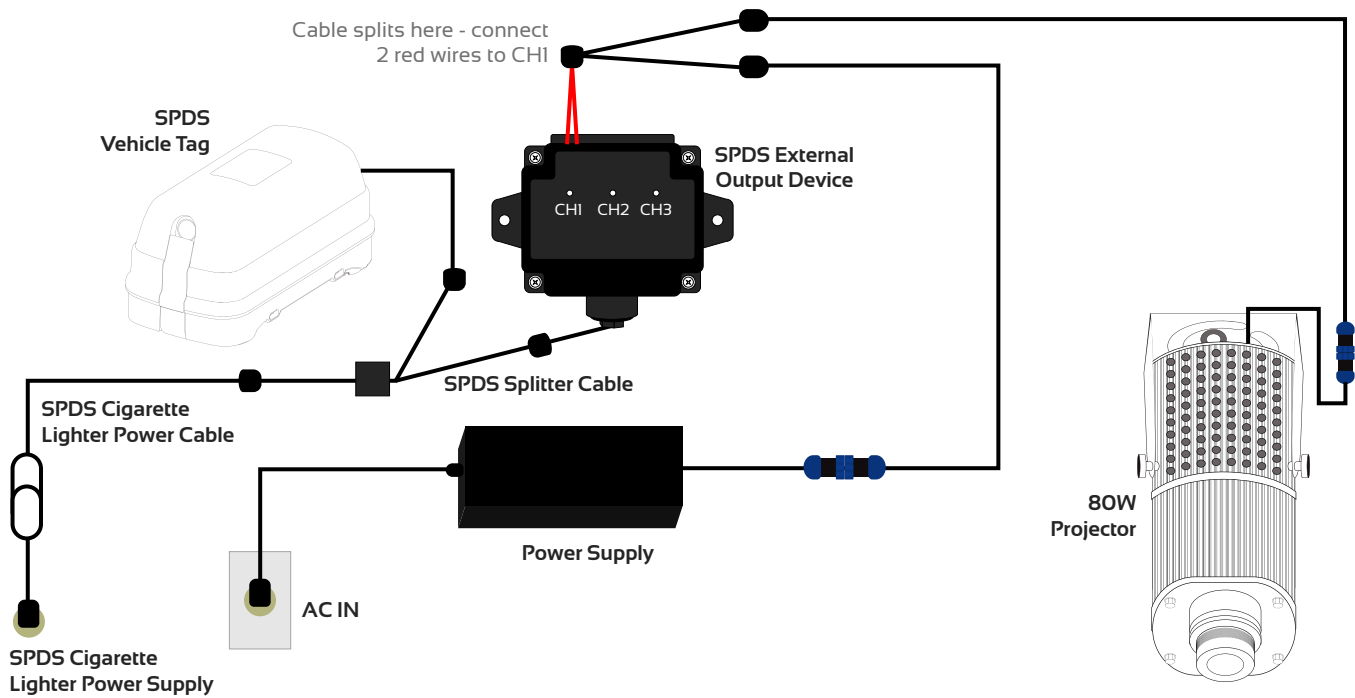
Specification SPDS	Vehicle Tag (VT)	Specification Projectors	80W Projector	300W Projector
Product Image		Product Image		
Input Voltage	12/24 V DC (9-32 V DC)	Type of Light Source:	High Performance LED	High Performance LED
Current Draw	300 mA	Light Source Life:	30,000+ hours	30,000+ hours
Interface	CAN Bus 2.0	Light Colour Temperature:	6,000 K	6,000 K
Alert Method	Red/green LED Flashing	Luminous Flux:	12,000	30,000 lm
Size	177.8 x 84.1 x 86 mm	Projection Distance:	Up to 165 ft (50 m)	Up to 230 ft (70 m)
Weight	444 g	Lens Angles:	Extra Narrow: f=200mm / 15°	Extra Narrow: f=200mm / 15°
Mounting Style	Magnetic or zip ties	Mounting Style	Magnetic or zip ties	Magnetic or zip ties
Operating Temperature	-30 to 85 °C	Operating Temperature	-10 to 50°C	-10 to 50°C
Storage Temperature	-40 to 85 °C	IP Rating:	IP55	IP55
Waterproofing	IP65	Power Supply	100-240 VAC nominal,	100-240 VAC nominal,
Standard Warranty	12 months	(included):	50/60 Hz, 0.67A, 80W	50/60 Hz, 2.5A, 300W
		Standard Warranty	12 months	12 months

### External Output Device

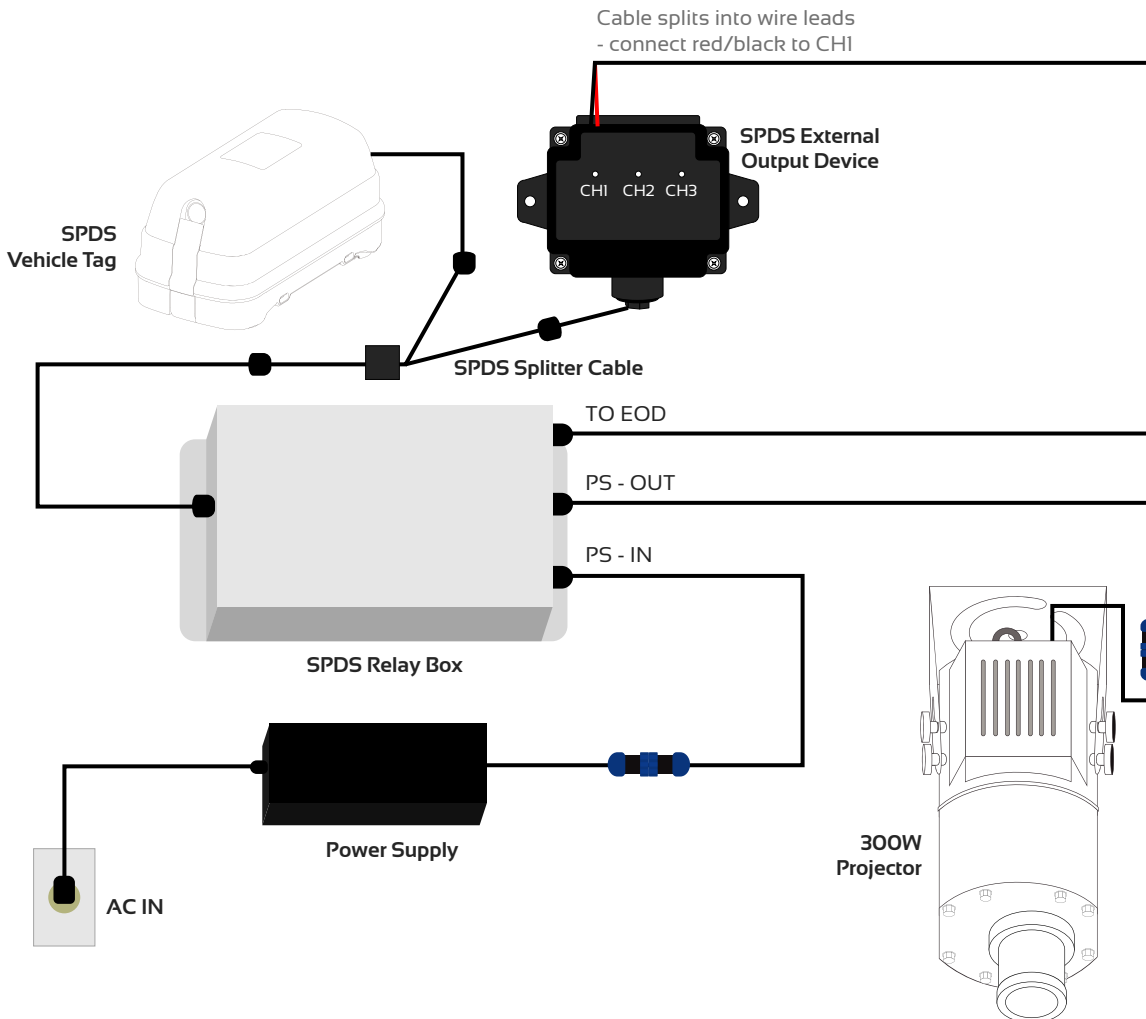


Attach additional devices to be activated or triggered by SPDS devices

## Wiring Diagram - 80W:



## Wiring Diagram - 300W:



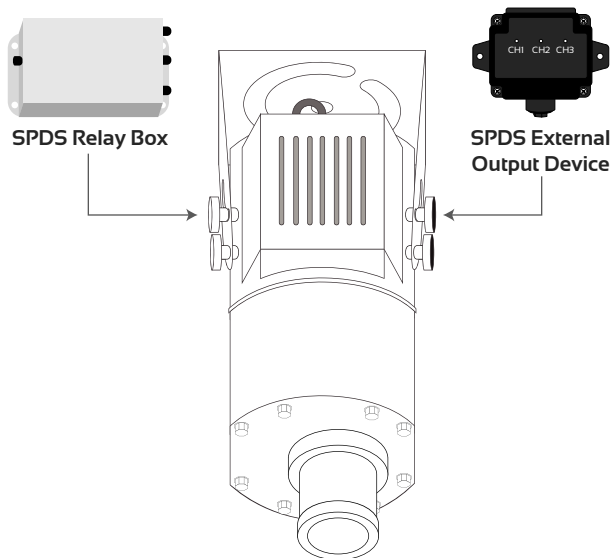
## Items included:

- Vehicle Tag
- SPDS External Output Device
- Projector
- Power Supply
- SPDS Relay Box

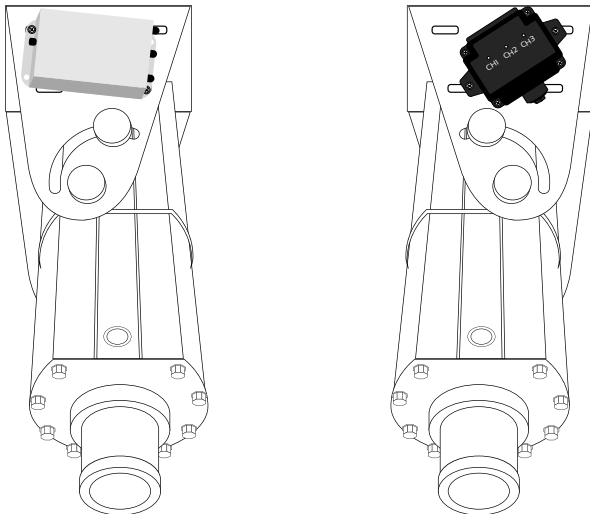
## Operating instructions:

- **How to set the distance:** It is not possible to adjust the detection radius without special hardware and software. If detection distance changes are required, contact Laserglow or your authorized distributor to arrange for the Vehicle Tag to be returned for setting adjustment.
- **What happens when forklift is detected:** The projector will turn on and remain on until the forklift leaves the detection zone.

## Mounting instructions:

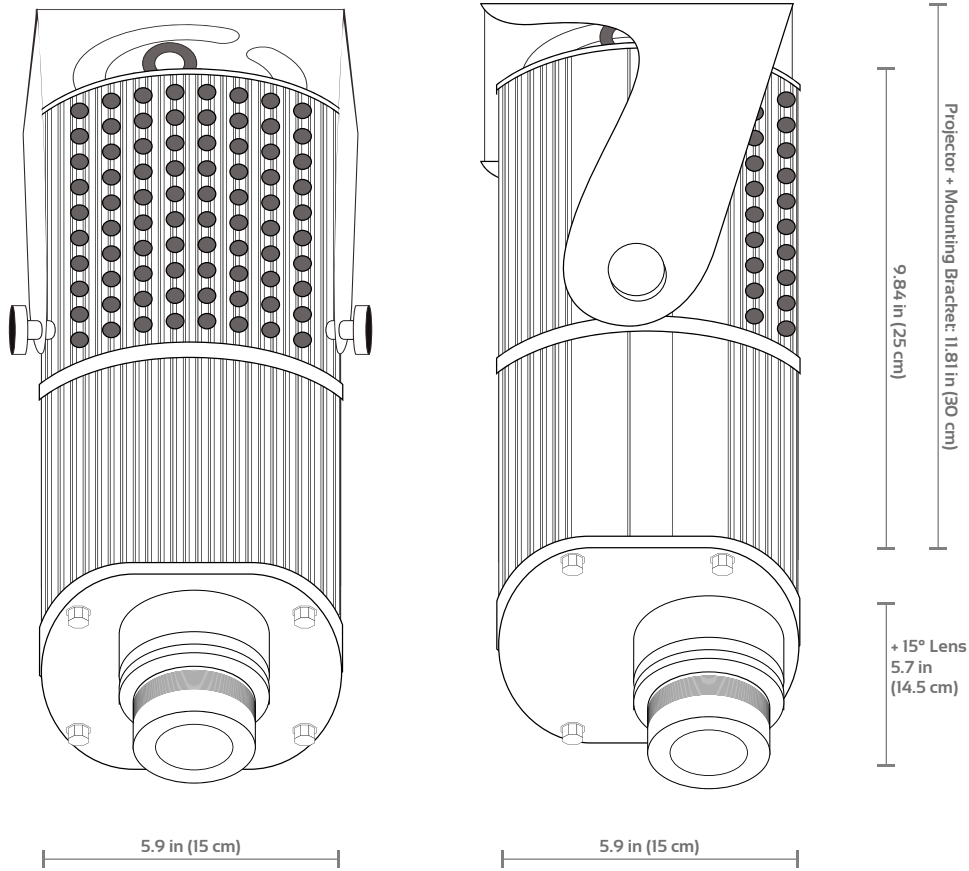


The Vehicle Tag (VT) should be mounted close to the projector so that there are no line-of-sight obstructions.



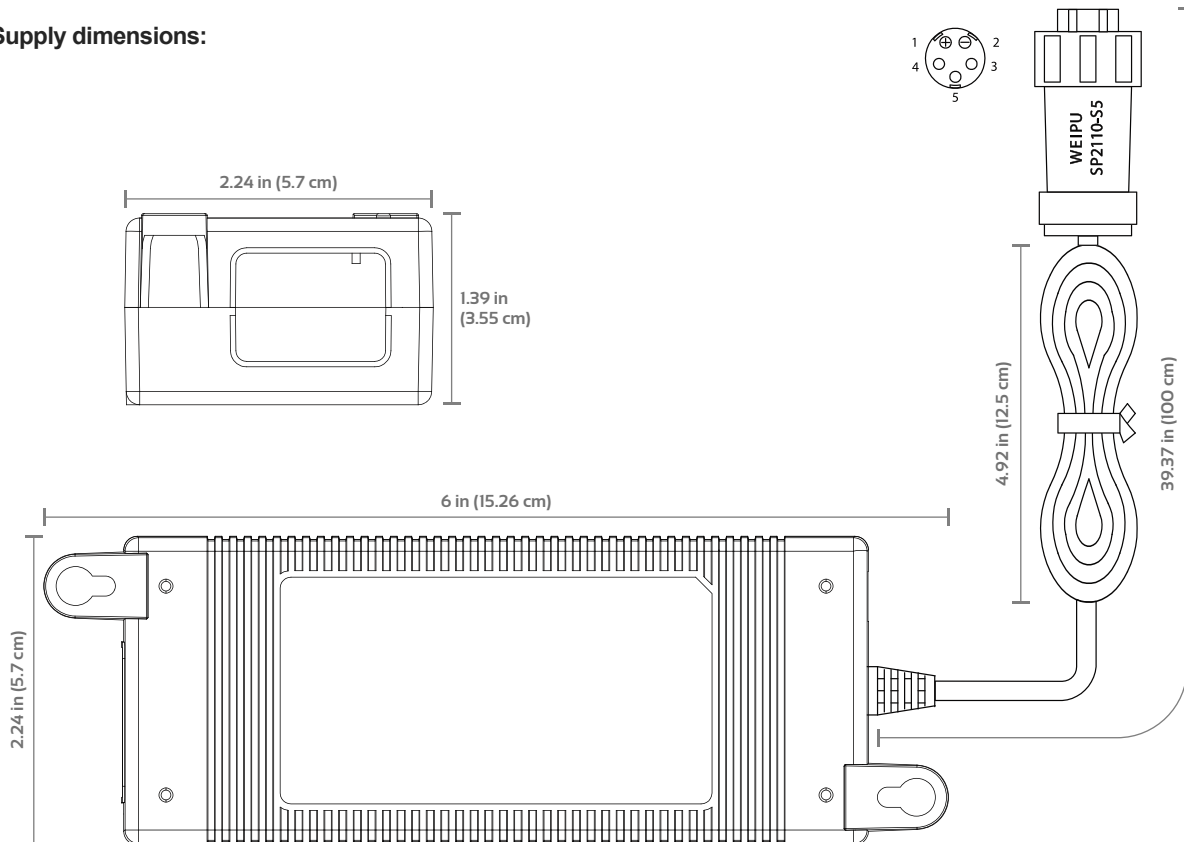


## Projector dimensions:



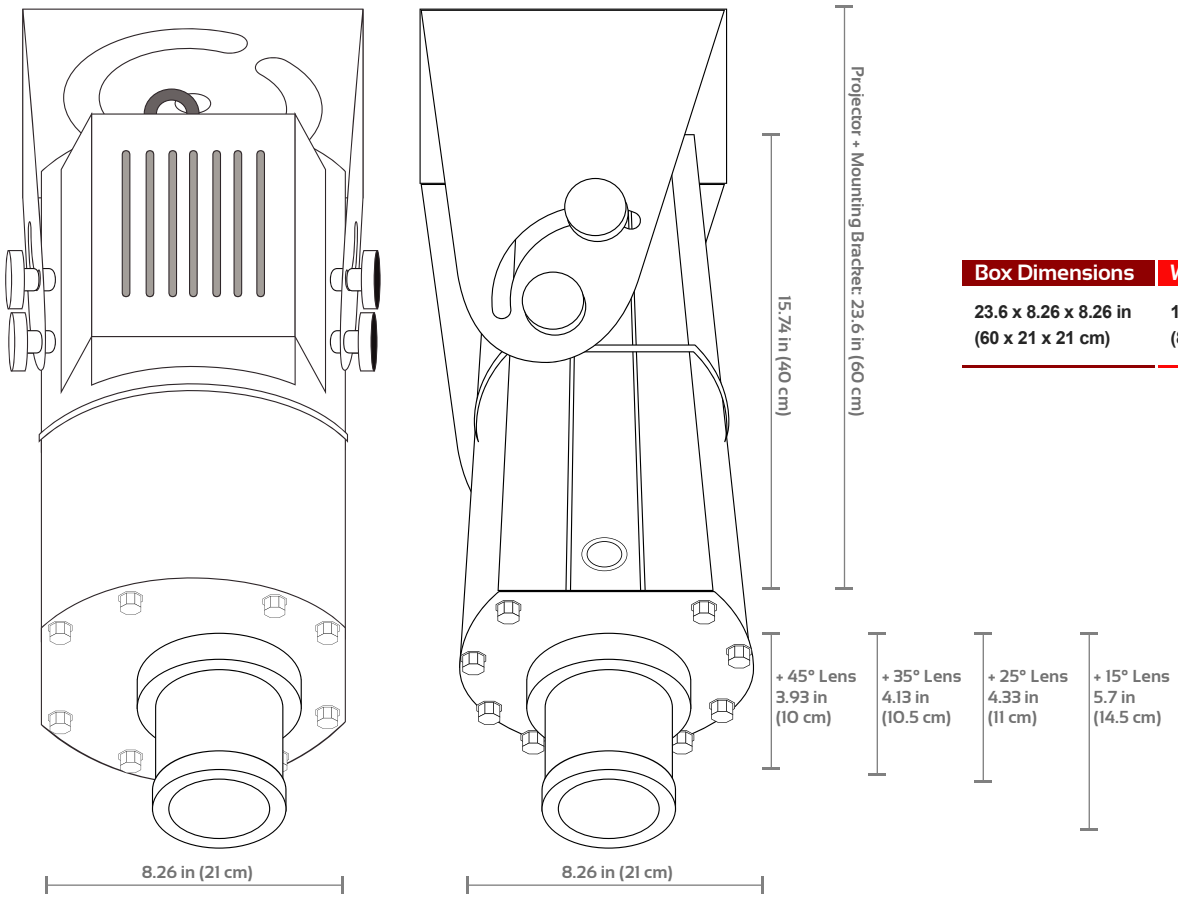
Box Dimensions	Weight
23.6 x 8.26 x 8.26 in (60 x 21 x 21 cm)	17.5 lb (8 Kg)

## Power Supply dimensions:

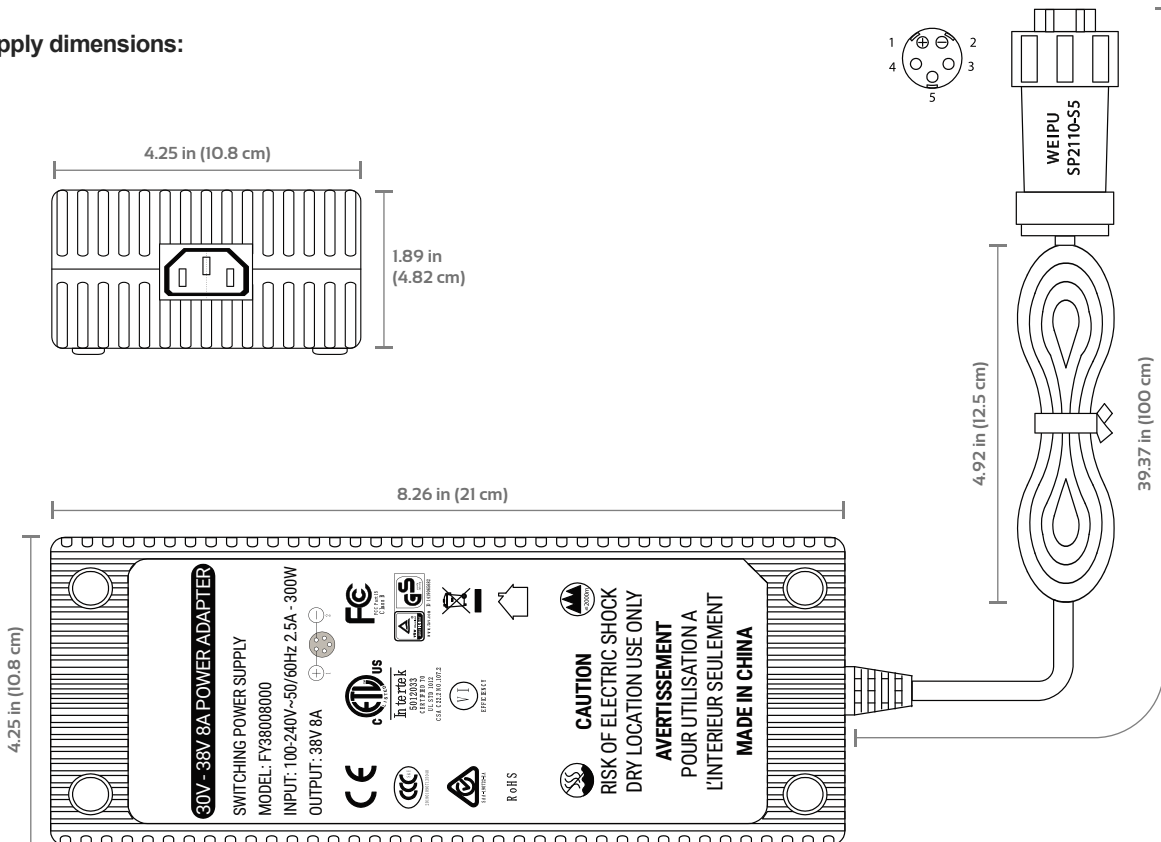




## Projector dimensions:



## Power Supply dimensions:





**[www.laserglow.com](http://www.laserglow.com)**

**For more information please contact:**

**LASERGLOW TECHNOLOGIES**

99 Ingram Dr. Unit B, North York, ON, Canada M6M2L7

Tel. (416) 729-7976 Fax (716) 322-3510

[sales@laserglow.com](mailto:sales@laserglow.com)

E&OE: Data included in this sheet may be subject to change without notice.  
Please confirm critical specifications with our staff prior to ordering.